

Rudder Angle Indicator System



Rudder Angle Indicator System

Raytheon Anschütz rudder angle indicator systems are characterized by a diversity of different indicators to fulfil individual customer needs.

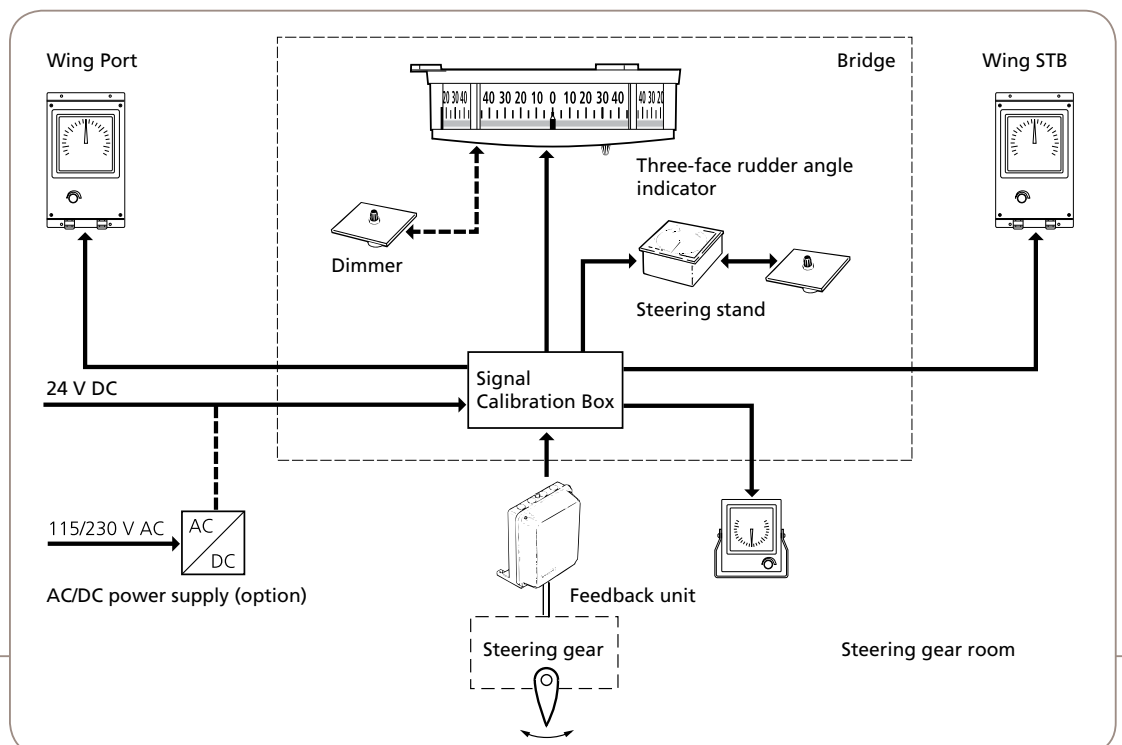
Instruments in different sizes, scales, type of installations and protection grades. In addition three-face rudder angle indicators with a 270° panoramic indication and indicators according to Panama Canal Regulations are offered. The product line is

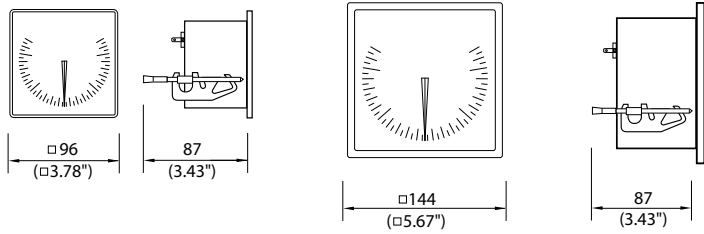
completed by a rudder angle transmitter and a signal calibration box that allows the perfect and simple adjustment of the system for up to 10 indicators.

The Rudder Angle Indicator System is a type approved and fulfils the latest normative references.

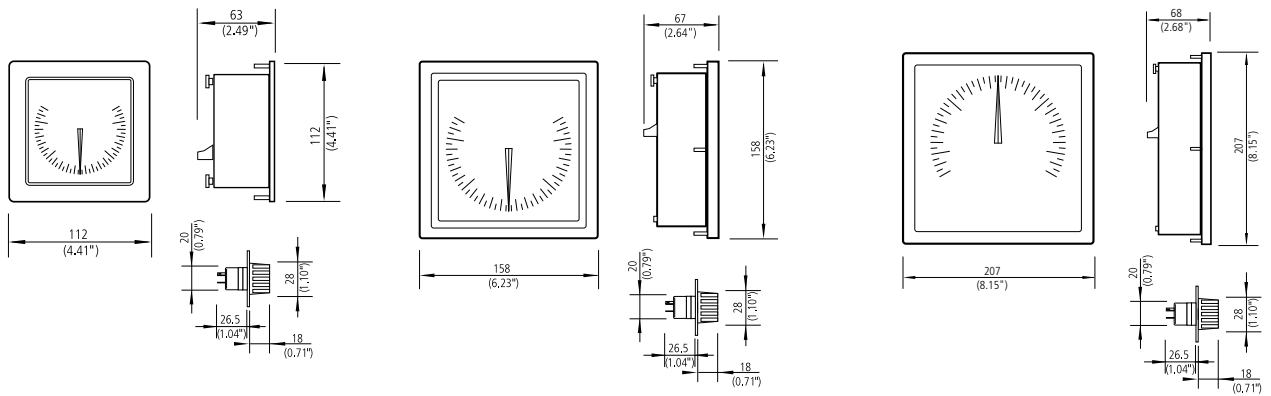


- Three-face rudder angle indicator with 270° panoramic indication
- Rudder angle indicators with different dimensions
- Different rudder scales depending on the rudder angle
- Internal or external dimming control
- Protection grades for indoor and outdoor use
- Signal Calibration Box for perfect and simple adjustment of the system



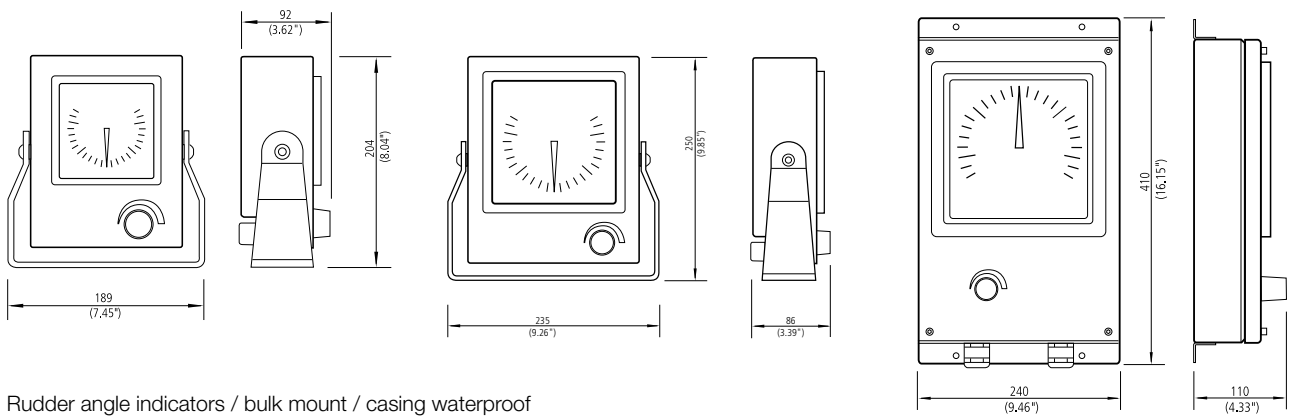


Rudder angle indicators / desk mount / for indoor use

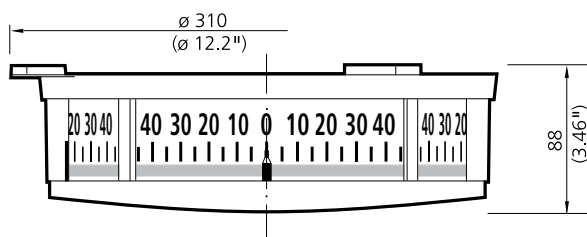


Rudder angle indicators and dimmer / desk mount / front waterproof

Large-rudder angle indicator according to Panama Canal Regulations (with pointer up)



Rudder angle indicators / bulk mount / casing waterproof



Three-face rudder angle indicator / ceiling mount

Technical Data

Read-off accuracy

≤ 1°

Supply Voltage

24 V DC

optional

115/230 V AC

Power Consumption

Three-face rudder angle indicator max. 12 W

Analog rudder angle indicator max. 3 W

Signal Calibration Box max. 4 W

General data

Permissible ambient temperature

Indoor -15° to +55° C

Outdoor -25° to +55° C

Size of instruments

96 x 96 mm

144 x 144 mm

192 x 192 mm

Scale

Red/green for port/starboard

Display range 45° or 75° (standard)

In accordance with

IEC 60945 (2002), ISO 20673 (2007), IEC 62288 Ed. 1.0 (2008)

IMO Res. A.694(17), MSC.97(73), MSC.36(63), MSC.191(79)

Type of enclosure acc. to IEC/EN 60529

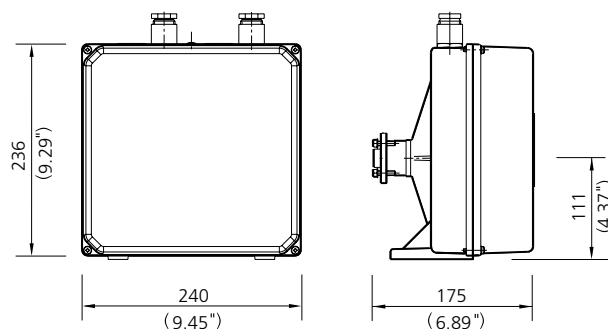
Three-face rudder angle indicator IP 23

Rudder angle indicator (indoor use) IP 22

Rudder angle indicator (outdoor use) IP 66

Feedback unit IP 44

Feedback unit (rudder angle transmitter)



Signal Calibration Box

